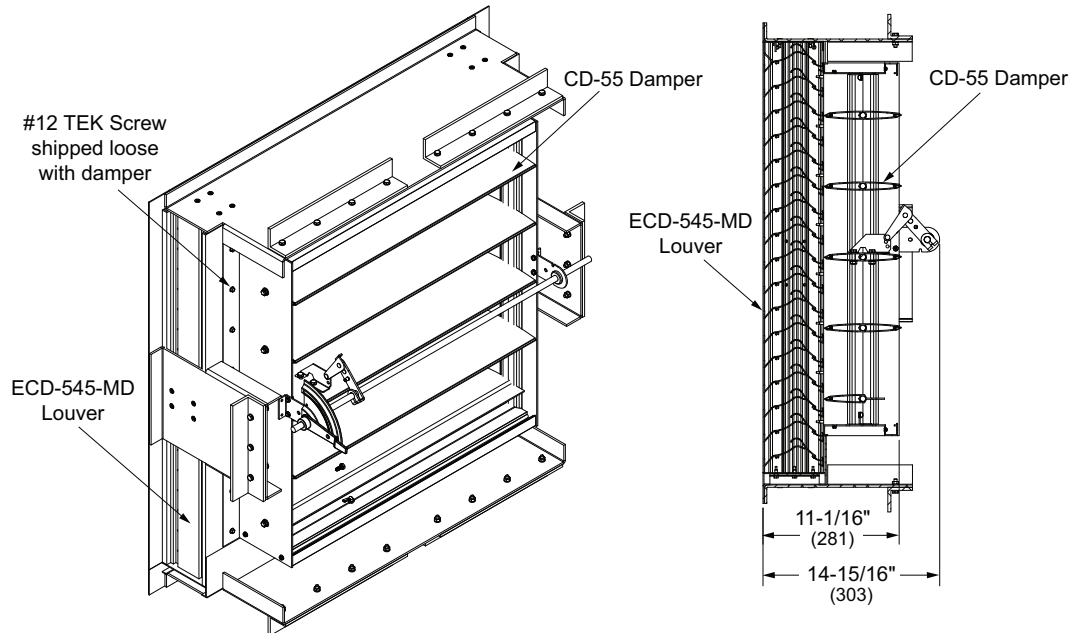


### General

The CD-55 damper option must be specified in order for the louver assembly to comply to FBC TAS 100 (A)-95.

The CD-55 damper is shipped loose in order to easily install the louver. Installation hardware is supplied with the damper.



Anchorless Installation Shown. Other building condition installations are applicable as well.